

# 1310nm Polarization Insensitive / Sensitive Isolator (IS)

## Features

- Wide Operating Wavelength
- High Isolation & Low Insertion Loss
- Low PDL
- Telcordia GR-1221 Compliant
- Polarization Insensitive and Polarization Sensitive (Dependent)

## Application

- Fiber Amplifier
- Transmitters & Fiber Laser
- Testing Equipment
- WDM & DWDM System

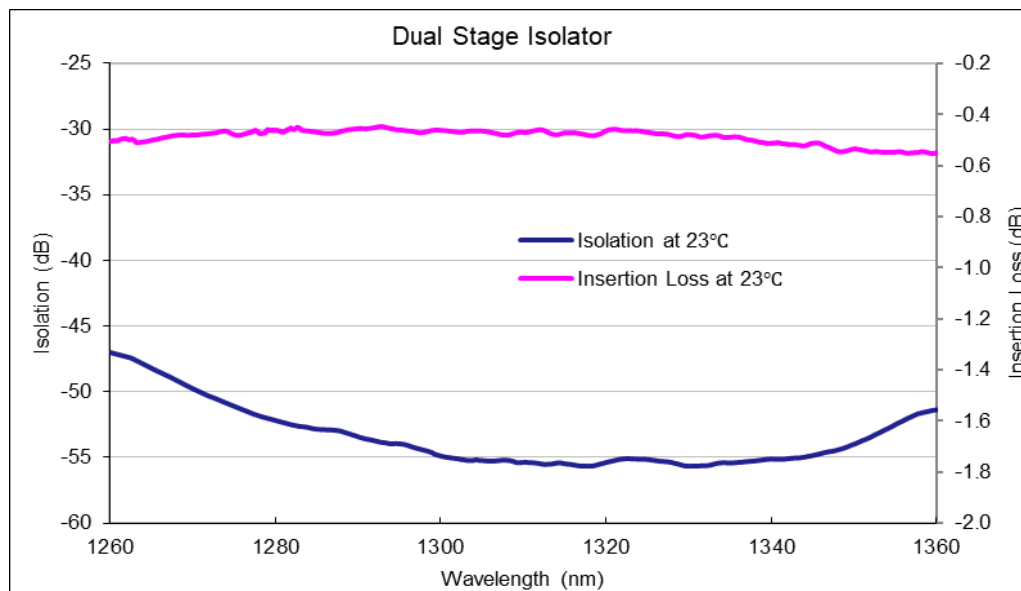


## Specifications

Parameters	Unit	Single Stage	Dual Stage
Center Wavelength	nm	1310	
Peak isolation	dB	42	58
Min Isolation ( $\lambda_c \pm 15\text{nm}, 23^\circ\text{C}$ all sop)	dB	28	48
Typ. IL ( $\lambda_c \pm 20\text{nm}, 23^\circ\text{C}$ all sop)	dB	0.35	0.40
Insertion Loss ( $\lambda_c \pm 20\text{nm}, -5 \sim +70^\circ\text{C}$ all sop)	dB	$\leq 0.50$	$\leq 0.55$
Polarization Dependent Loss (PDL)	Polarization Insensitive	dB	$\leq 0.05$
	Polarization Sensitive	dB	$\geq 20$
PMD	ps	$\leq 0.2$	$\leq 0.05$
Return Loss (Input / Output) (RL)	dB	$\geq 60/55$	$\geq 60/55$
Fiber Type		SMF-28e	
Max Power Handling CW	mW	500	
Operating Temperature	$^\circ\text{C}$	$-0 \sim +75$	
Storage Temperature	$^\circ\text{C}$	$-40 \sim +85$	

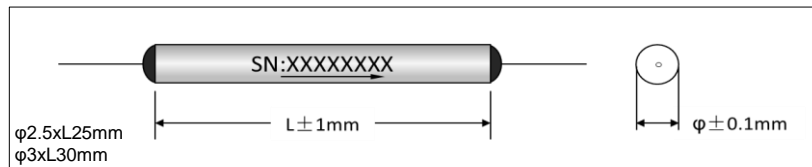
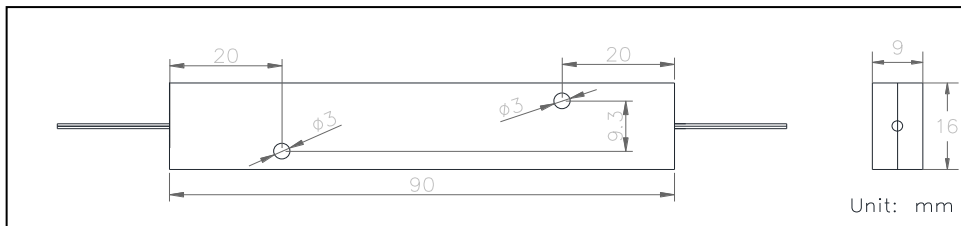
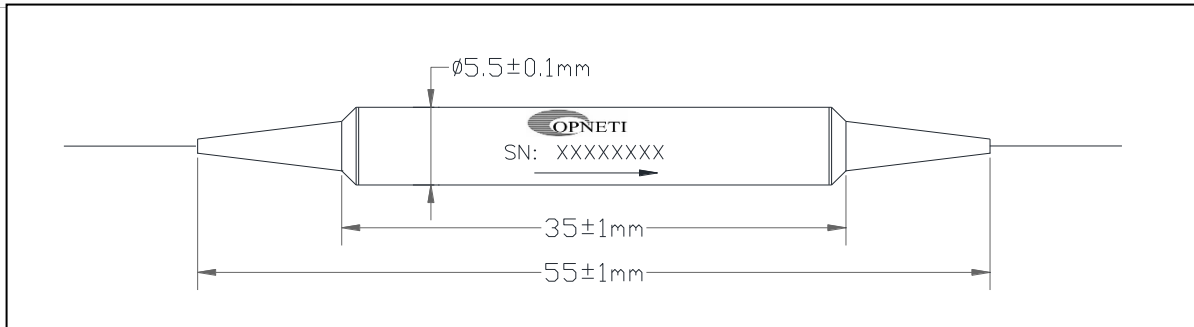
Above data test at room temperature without connectors. With connectors, IL+0.3dB, RL-5dB.

## Typical Spectrum



## Package Information

Fiber Length	1m, others on request		
Pigtail Type	250 $\mu\text{m}$ Bare Fiber	900 $\mu\text{m}$ Loose Tube	2mm/3mm Loose Cable
Dimensions(mm)	$\phi 2.5 \times 25, \phi 3 \times 25, \phi 3 \times 30, \phi 5.5 \times 35,$	$\phi 5.5 \times 35, 90 \times 16 \times 9$	$\phi 5.5 \times 35$ (no boot), $90 \times 16 \times 9$
Approx Weight (g)	35	50	65



### Ordering Information

IS- ①-②②②②-③-④④④-⑤-⑥-⑦⑦

①	Type	S=Single Stage; D=Dual Stage;
②	Wavelength	1310;
③	Axis Alignment	1=Polarization Sensitive; 2=Polarization Insensitive;
④	Pigtail Type	250=250μm Fiber; 900=900μm Loose Tube; 2000=2mm Loose Cable; 3000=3mm Loose Cable;
⑤	Fiber Type	1=SMF-28e;
⑥	Fiber Length	1=1m; XX=other;
⑦	Connector	NE=None; FA=FC/APC; FC=FC/UPC; SA=SC/APC; SC=SC/UPC; LC=LC/UPC; XX=Others;